
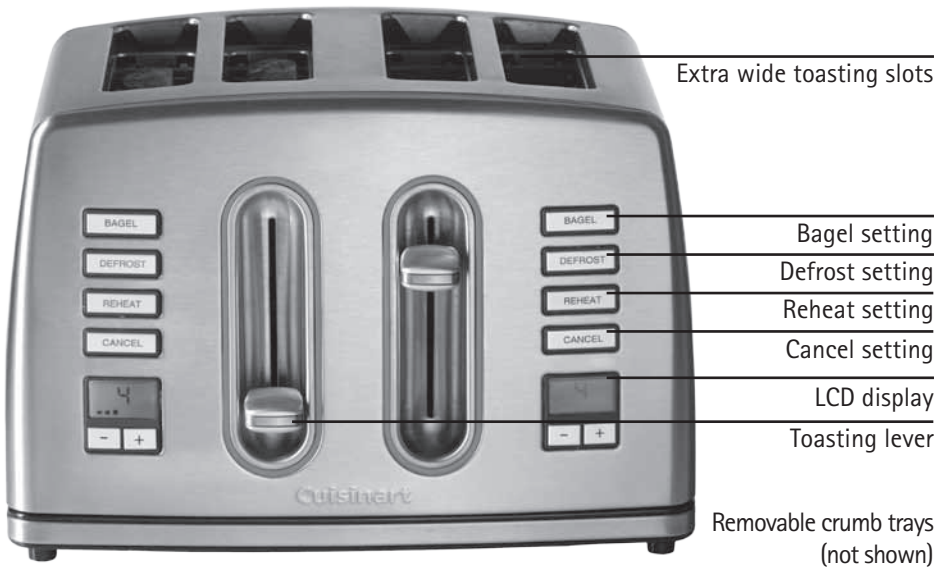


## Important Safeguards

When using electrical appliances, basic safety precautions should always be followed, including the following:

1. The appliance is not intended to be operated by means of external timer or separate remote-control system.
2. This appliance is not intended for use by persons with reduced physical, sensory or mental capabilities, or lack of experience and knowledge, unless they have been given supervision or instruction concerning use of the appliance by a person responsible for their safety.
3. Children should always be supervised to ensure that they do not play with this product.
4. Not for use by children. Keep out of reach of children during and after use.
5. The temperature of all surfaces marked with this symbol will be very hot when the appliance is in use. **DO NOT TOUCH** these surfaces as possible injury could occur.  Allow to cool completely before handling this appliance.
6. The outer surface may get hot when the appliance is in use.
7. Always inspect the appliance before use for noticeable signs of damage. Do not use if damaged, or if the appliance has been dropped. Do not use this appliance if the lead is damaged. In the event of damage, or if the appliance develops a fault, contact the Cuisinart Customer Care Line (refer to "UK After Sales Service" section for further information).

## Product Description



## Safety Cautions

**Carefully read all the instructions before using the appliance and keep in a safe place for future reference.**

Always follow these safety cautions when using this appliance to avoid personal injury or damage to the appliance. This appliance should be used only as described within this instruction book.

- Ensure all packaging materials and any promotional labels or stickers are removed from the bread maker before first use.
- Always inspect the appliance before use for noticeable signs of damage. Do not use if damaged, or if the appliance has been dropped. In the event of damage, contact the Cuisinart Customer Care Line (refer to 'UK After Sales Service' section for further information).
- Do not use the appliance if the lead is damaged. In the event of lead damage, discontinue use immediately. If the lead is damaged it must be replaced by the manufacturer. Return the appliance to the Customer Care Centre (refer to 'UK After Sales Service' section for further information). No repair must be attempted by the consumer.
- Do not touch hot surfaces. Allow to cool completely before handling this appliance.
- Bread may burn, therefore DO NOT position the toaster near or below curtains or other combustible materials.
- This appliance should not be used by adults or children whose lack of experience, product knowledge or disability might cause a hazard, unless they have been correctly instructed and are adequately supervised.
- Children should always be supervised to ensure that they do not play with this product.
- Do not use any attachments other than those recommended or sold by Cuisinart.
- Do not place on or near a hot gas or electric burner, or in a heated oven.
- Do not allow the lead to come into contact with hot surfaces.
- Never pull the plug out of the mains socket by the lead.
- Do not allow the lead to overhang the edge of a kitchen table or worktop.
- Unplug from the mains when not in use and before cleaning. Allow to cool before cleaning the appliance.
- For indoor, domestic use only.
- Always ensure the voltage to be used corresponds with the voltage on the appliance, this is indicated on the bottom of the housing.
- Do not connect this appliance to an external timer or remote control system.

- This appliance complies with the basic requirements of Directives 04/108/EC (Electromagnetic Compatibility) and 06/95/EC (Safety of domestic electrical appliances)



**WARNING:** Polythene bags over the product or packaging may be dangerous. To avoid danger of suffocation, keep away from babies and children. These bags are not toys.



The temperature of all surfaces marked with this symbol will be very hot when the appliance is in use. **DO NOT TOUCH** these surfaces as possible injury could occur. Always allow to cool completely before handling this appliance.

### Safety During Use

- To protect against fire, electric shock or personal injury, do not immerse cord, plug or unit in water or other liquids.
- Do not place metallic packaging, paper, cardboard, plastic or any utensils in the toaster as they may cause a risk of fire or electric shock.
- Do not cover crumb trays or any part of the toaster with metal foil. This will cause overheating of the toaster.
- Never put your hands inside the toaster.
- To avoid injury or possible fire, do not cover the appliance when in use.
- Always unplug from the mains when not in use.
- Do not attempt to dislodge food when the toaster is plugged into a mains socket.
- Always ensure that your hands are dry before removing the plug from the mains socket.

**WARNING:** To avoid possibility of fire, do not leave the toaster unattended during use.


- If the carriage control lever becomes jammed during the toasting cycle, do not try to release it. Switch off the power at the mains (if appropriate), unplug the toaster and leave it to cool down before carefully removing the bread. Do not use a knife, fork or other sharp implement as this may damage the element.
- Do not toast 'buttered' items or try to make toasted sandwiches in the toaster, as this will create a fire hazard.
- Do not use torn or curled up slices of bread as these could jam the eject mechanism.
- Only use the toaster with the crumb tray in place.

# UK Wiring Instructions

The wires in the mains lead are coloured in accordance with the following code:

- BLUE = NEUTRAL
- BROWN = LIVE
- YELLOW & GREEN = EARTH


As the colours of the wire in the mains lead of this appliance may not correspond with the colour marking identifying the terminals on your plug, proceed as follows:

- The wire which is coloured BLUE must be connected to the terminal which is marked with the letter N
- The wire which is coloured BROWN must be connected to the terminal which is marked with the letter L
- The wire which is coloured YELLOW & GREEN must be connected to the terminal which is marked with the letter E or the  symbol

This appliance is supplied fitted with a BS1363 mains plug and a BS1362 13A fuse. If this plug is removed from the appliance please ensure it is disposed of safely as a disconnected plug is dangerous if reconnected to the mains. If any other type of plug is used, a 13A fuse must be fitted.

**WARNING:** A cut off plug inserted into a 13 amp socket is a serious safety (shock hazard). Ensure that the cut off plug is disposed of safely.



The symbol  on the product or on its packaging indicates that this product may not be treated as household waste. Instead it should be handed over to the applicable collection point for the recycling of electrical and electronic equipment.

By ensuring this product is disposed of correctly, you will help prevent potential negative consequences for the environment and human health, which could otherwise be caused by inappropriate waste handling of this product. For more detailed information about the recycling of this product, please contact your local council office or your household waste disposal service.

# Instructions for Use

## A Before First Use

- Remove all packaging from the product and unwind the power cord.
- Check that the crumb trays are in place (see section G Crumb Trays for more details)
- Check that the toaster slots are empty.
- Plug the power cord into the mains socket and switch on. An audible beep will sound to show that the power is on, the LCD screens will illuminate and the browning level will be displayed on the LCD screens.
- Before first use, we recommend that you set the browning level to 7 on both pairs of toasting slots using the +/- buttons and operate the toaster without any bread to burn off any dust from the new elements. This may produce a distinctive smell – this is quite normal.

## B Toasting

Your toaster has been specially designed with an extra wide, extra deep toasting carriage to accommodate and evenly toast most types of breads.

- Ensure the toaster is plugged into the mains socket.
- Ensure the toasting lever is in the up position.
- The browning level will be displayed on the LCD screen. Both pairs of toasting slots are independently controlled, so you can select different browning settings for each pair of slots.
- Select the browning level using the +/- buttons:

Setting	Colour	Approximate time
1-2	Light	1-2 mins
3-5	Medium	2-3 mins
6-7	Dark	3-4 mins

**NB.** Toasting is a combination of cooking and drying of the bread, therefore differences in moisture levels from one bread to another can result in varying toasting times.

- Insert slice(s) of bread.

**NB.** Never force foods into the toasting slot. Foods should fit freely between the guides.

- Press the toasting lever(s) down until it locks into position. It will only lock into position if the toaster is connected to the mains socket.

- The LCD display(s) will illuminate. It will display your selected browning setting, and the bars below act as a visual countdown from right to left to indicate the toasting time remaining.
- When the cycle is complete, the toaster will automatically raise the bread.
- The lever can be raised further to allow you to remove smaller breads e.g. bagels, crumpets more easily.
- If you wish to stop the cycle before it has finished, simply press the 'Cancel' button(s).
- After use, unplug the toaster from the mains socket.

## **C Defrost Setting**

The Defrost setting is designed to first defrost and then toast the bread in one automatic cycle.

- Ensure the toaster is plugged into the mains socket.
- Ensure the toasting lever is in the up position.
- Select the browning level using the +/- buttons. When defrosting, you should select level 6 or 7.
- Press the 'Defrost' button(s). The blue light indicates the feature is activated.
- Press the lever down until it locks into position.
- When the cycle is complete, the toaster will automatically raise the bread.

## **D Reheat Setting**

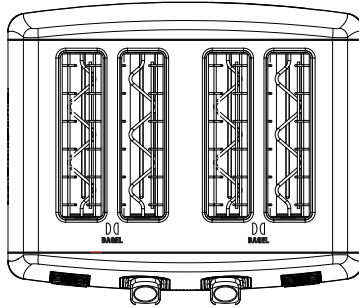
The reheat setting allows you to reheat your toast without further browning or toasting.

- Ensure the toaster is plugged into the mains socket.
- Ensure the toasting lever is in the up position.
- Insert slice(s) of toast. Only reheat plain, unbuttered toast.
- Press the 'Reheat' button(s). The blue light indicates the feature is activated. It is not necessary to adjust the browning control.
- Press the lever down until it locks into position.
- The Reheat cycle lasts approximately 30 seconds. When the cycle is complete, the toaster will automatically raise the bread.

## E Bagel Setting

The Bagel feature toasts one side of the bread and warms the other, ideal for bagels. It also adds extra time to the toasting cycle to accommodate the thickness of bagels.

- Ensure the toaster is plugged into the mains socket.
- Ensure the toasting lever is in the up position.
- Slice your bagel into 2 equal halves. Place each half into 2 of the slots with the cut sides facing away from each. There is a bagel symbol on the top face of the toaster to illustrate which way the bagels should be inserted.



- Select the browning level using the +/- buttons. Because of the thickness of bagels, you should select level 6 or 7.
- Press the 'Bagel' button(s). The blue light surrounding the button indicates the feature is activated.

**N.B.** If you wish to defrost bagels, ensure the defrost button(s) is also pressed. This will extend the toasting cycle further.

- Press the lever down until it locks into position.
- When the cycle is complete, the toaster will automatically raise the bagel(s).



## **F            Toasting – Hints & Tips**

- For slightly dry bread, use a lower setting than you normally would.
- For very fresh or whole wheat bread, use a higher setting than normal.
- Breads with very uneven surfaces will require a higher toast setting.
- Thick cut pieces of bread (including bagels) will take longer to toast, sometimes significantly longer, since more moisture must be evaporated from the bread before toasting can begin. Very thick pieces may even require 2 cycles.
- Sweet bread products e.g. tea cakes, fruit loaf etc. brown more quickly than ordinary bread, so it is best to use a lower setting.
- When toasting raisin or other fruit breads, remove any loose raisins etc. from the surface of the bread before toasting. This will help to prevent fruit pieces from falling into the toaster or sticking to the guide wires in the slot.
- If you are toasting a single slice of bread, set the browning setting at a lower level than normal. The toaster is designed to heat the whole toasting chamber, so by lowering the heat for a single slice, you will not over toast.
- It is possible to use the toaster for toaster pastries. You should only use pastries which are specifically designed for use with a toaster, and you should always follow the instructions provided by the manufacturer of the pastry. Take extra care when toasting pastries. The filling can become very hot long before the surface of the pastry becomes browned. Never leave toaster pastries unattended while toasting or warming.

## **G            Crumb Trays**

The toaster is equipped with 2 removable crumb tray to collect crumbs during toasting. We recommend that the crumb trays are removed and emptied on a regular basis.

- To empty, locate the trays which are fitted in the base of the toaster. They can be accessed from the rear of the toaster.
- Pull the black cover on each tray, and the tray(s) will slide out, discard the crumbs and replace by sliding back into position. Never operate the toaster without the crumb tray in place.

## Cleaning & Maintenance

- Always disconnect the toaster from the mains immediately after use and allow to cool completely before cleaning.
- Do not immerse the appliance in water or any other liquid or place in a dishwasher.
- Do not use abrasive cleaners. Simply wipe the exterior with a clean damp cloth and dry thoroughly. Apply any cleaning agent to a cloth, not to the toaster, before cleaning.
- To remove any pieces of bread remaining in the toaster, turn the toaster upside down and gently shake.
- Never wrap the cord around the outside of the toaster.

### **IMPORTANT:**

- Never insert any hard, sharp or metal instruments into the slots as this could damage the toaster and cause a safety hazard.